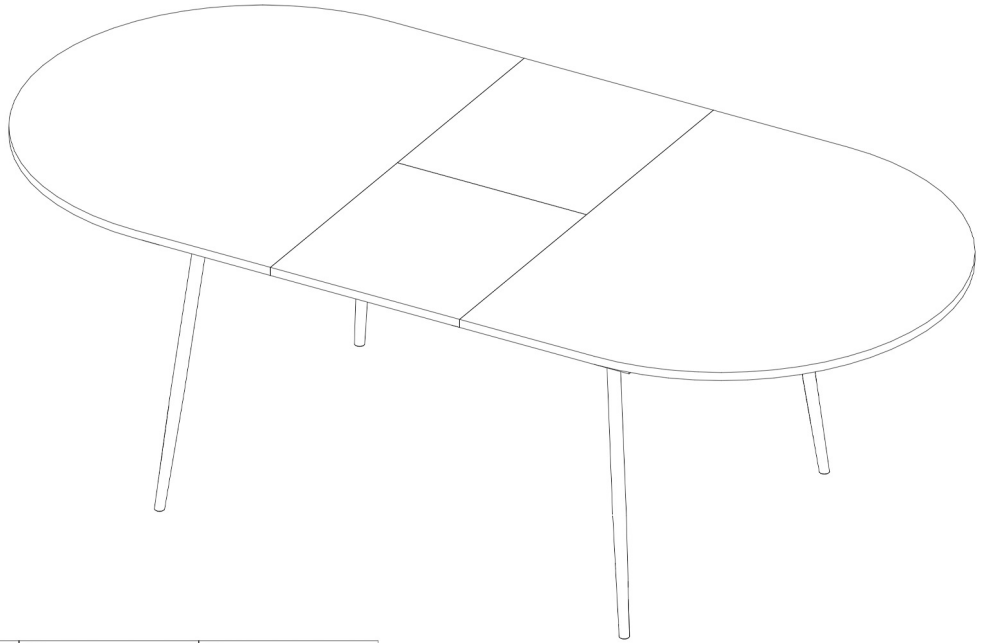


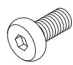


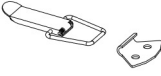
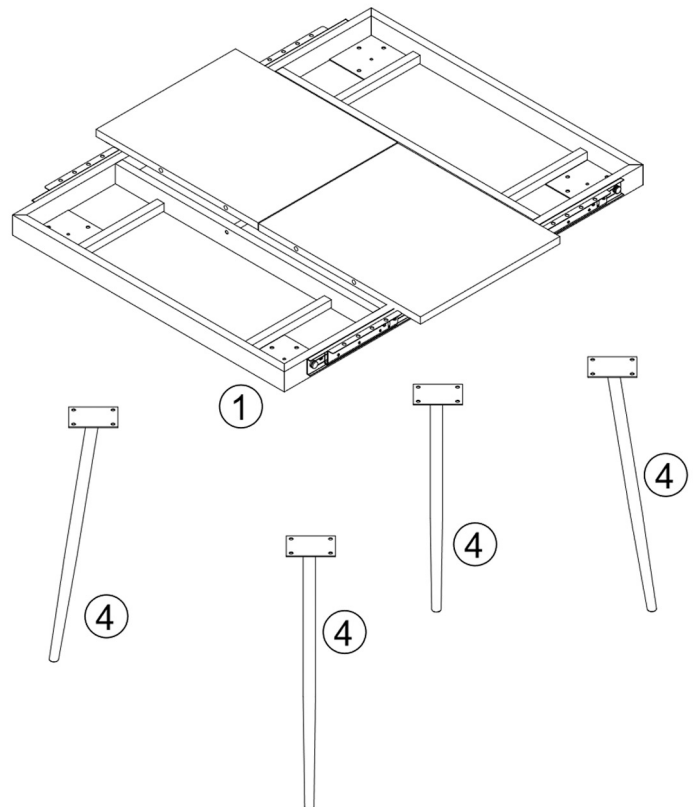
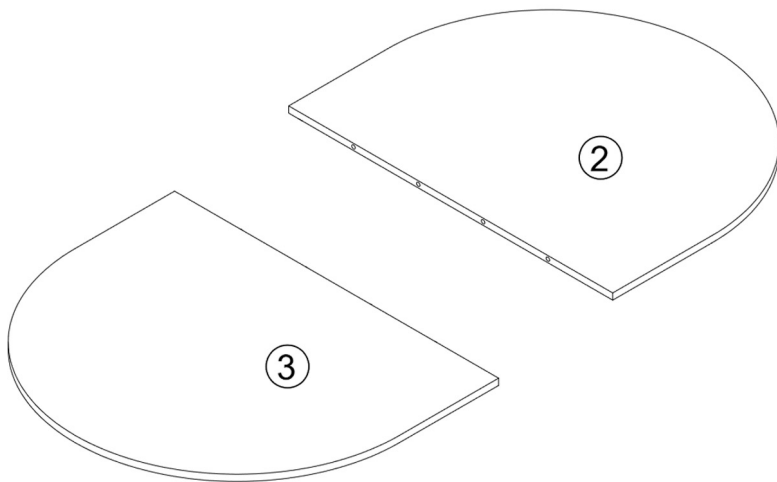


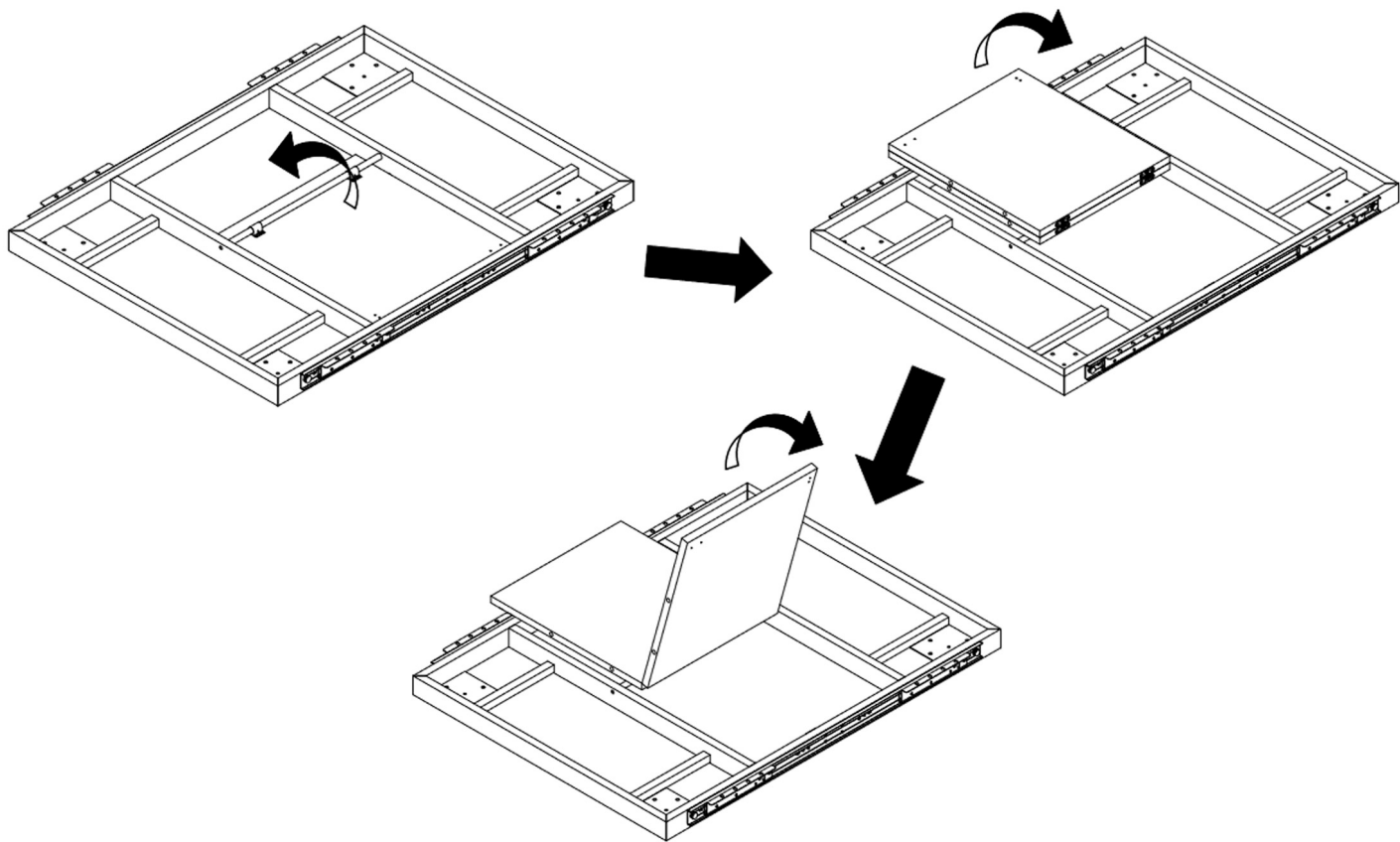
# TAMERON



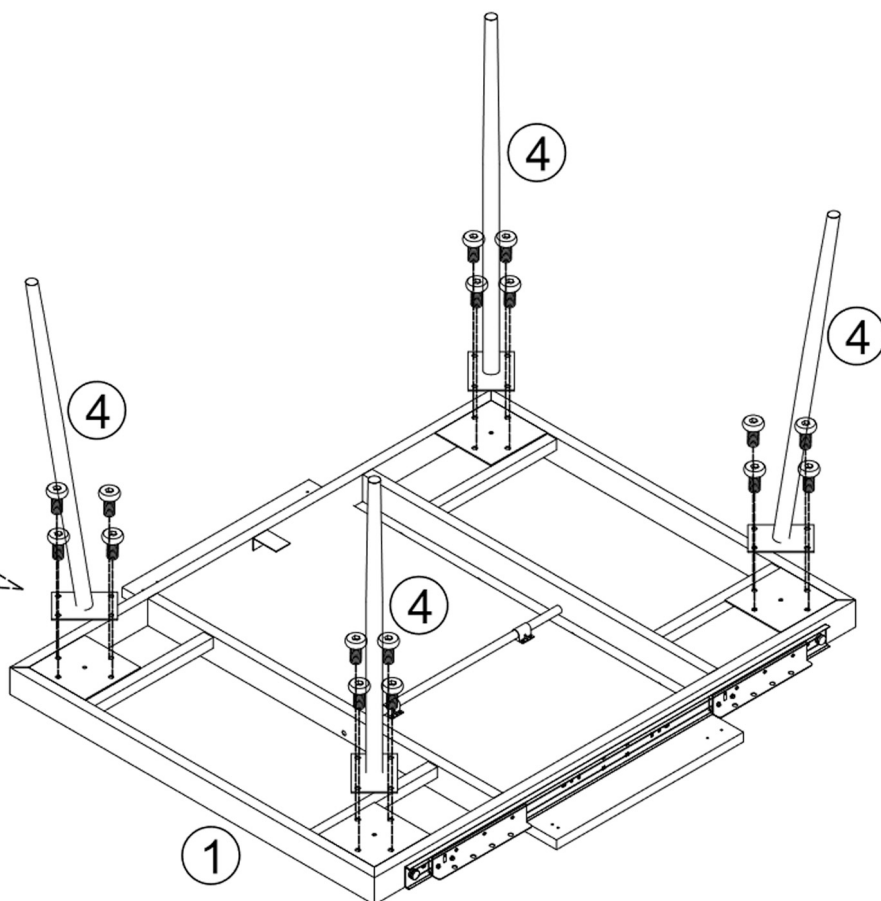
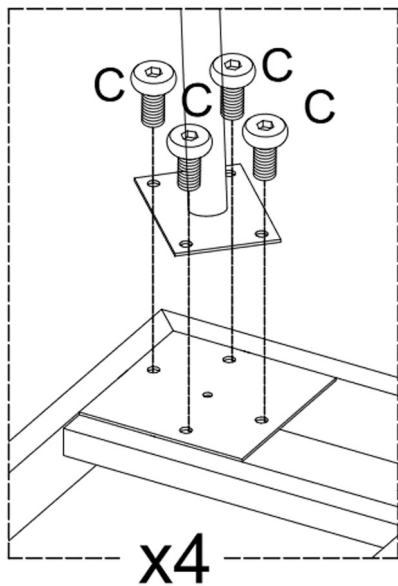
|   |   |   |  |  |
|---|---|---|--|--|
| <b>A</b><br><br>4*12mm<br>16x | <b>B</b><br><br>M6*12mm<br>16x | <b>C</b><br><br>M8*15mm<br>16x | <b>D</b><br><br>4mm<br>1x | <b>E</b><br><br>5mm<br>1x |
| <b>F</b><br><br>4x          |   |   |  |  |



1



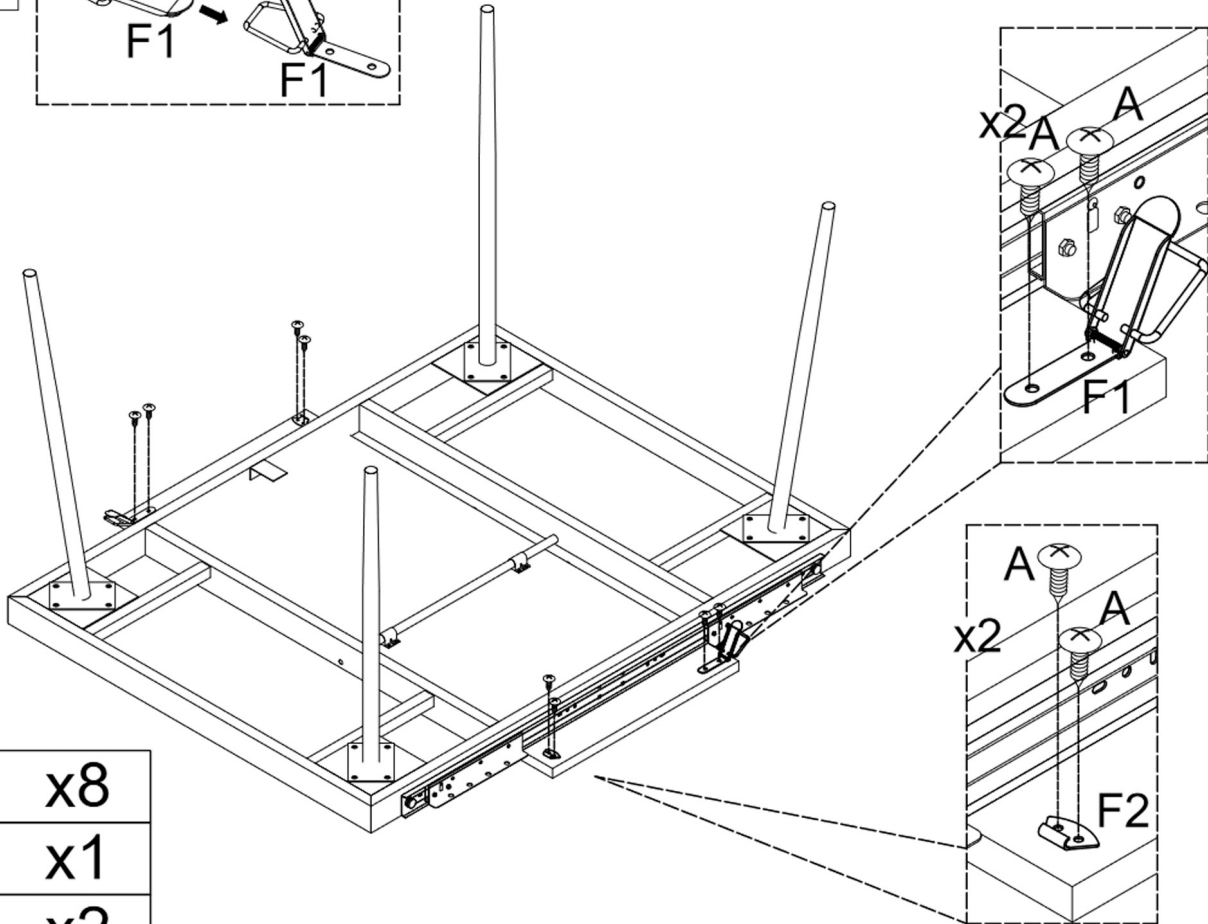
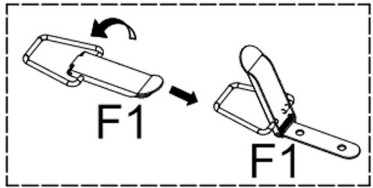
2



C x16

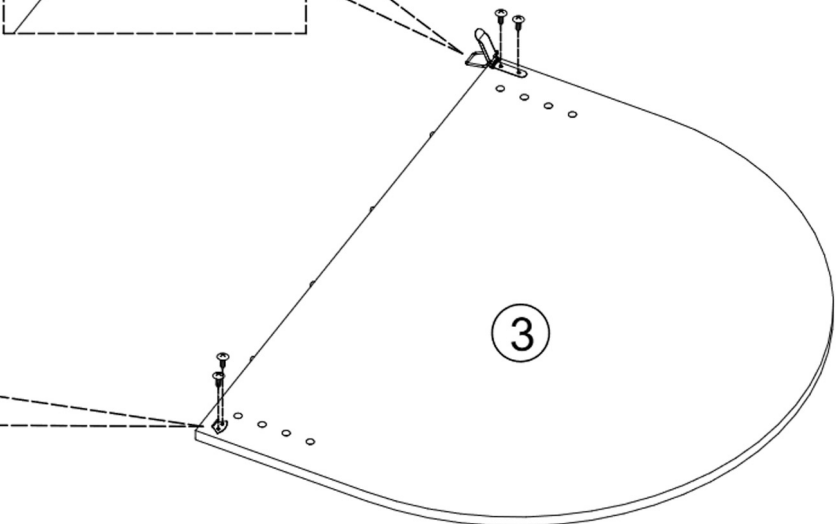
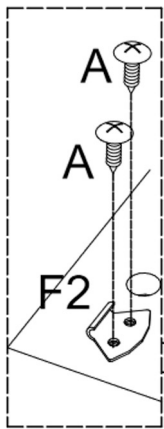
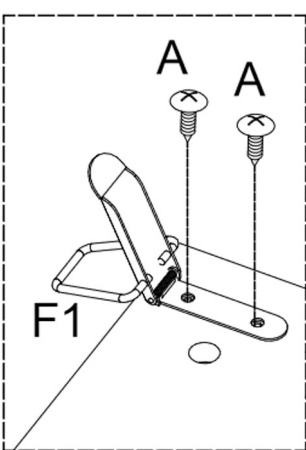
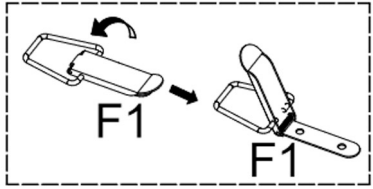
E x1

3



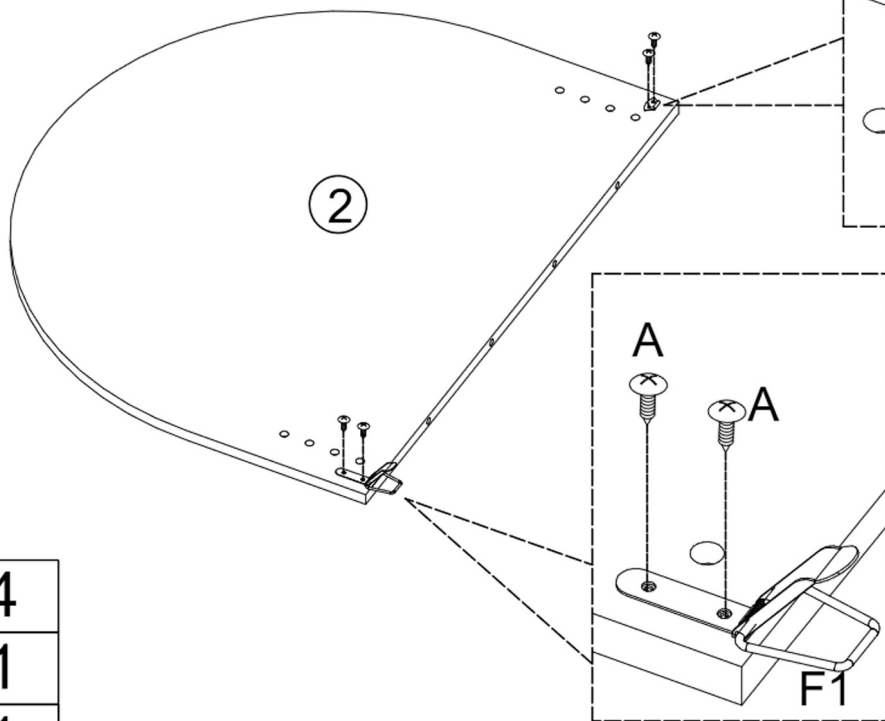
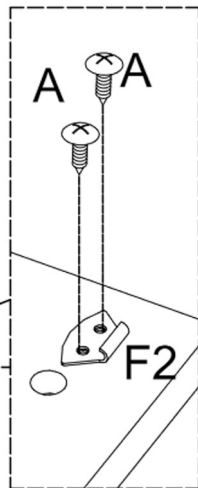
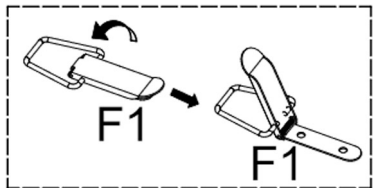
|   |    |
|---|----|
| A | x8 |
| D | x1 |
| F | x2 |

4



|   |    |
|---|----|
| A | x4 |
| D | x1 |
| F | x1 |

5

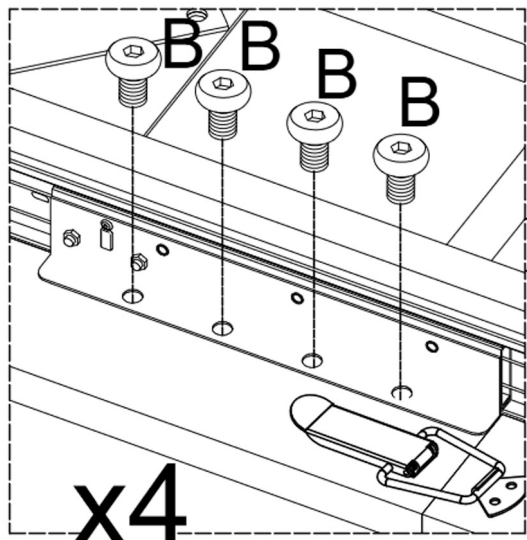


A x4

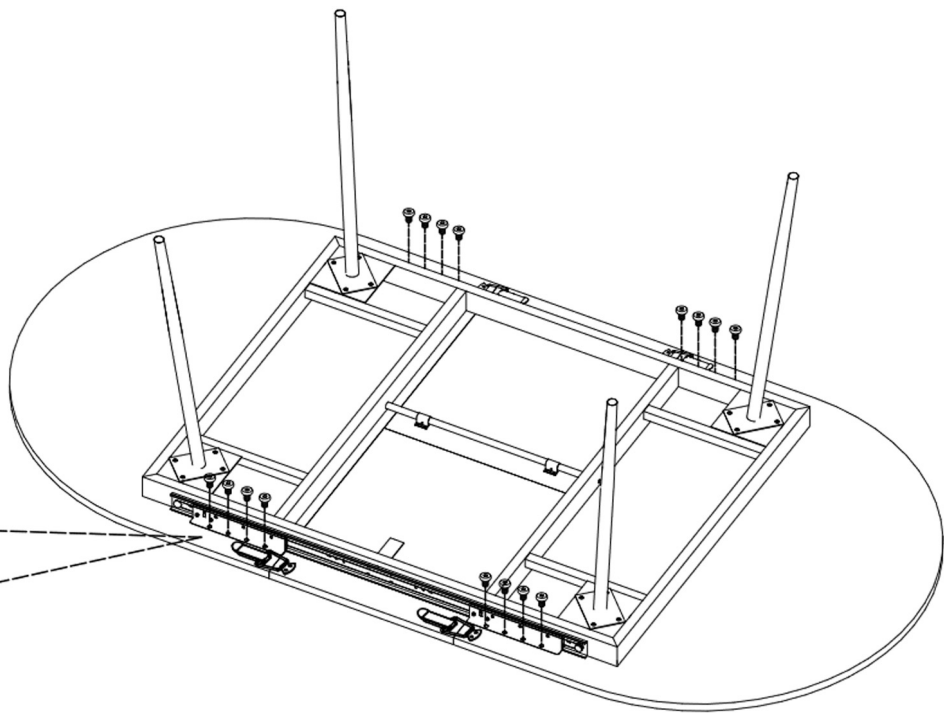
D x1

F x1

6



x4



B x16

D x1

7

